

## FIT 500LT COMPACT STORAGE TANK

These UV-resistant high-quality polyethylene tanks are available in a range of sizes to suit any domestic, commercial or industrial application.

### PRODUCT SPECIFICATIONS

Inlet	25 mm - 1"
Outlet	40/50 mm - 1.5"/2"
Manhole	460 mm

### Standard Colour

**B**

### Alternative Colours

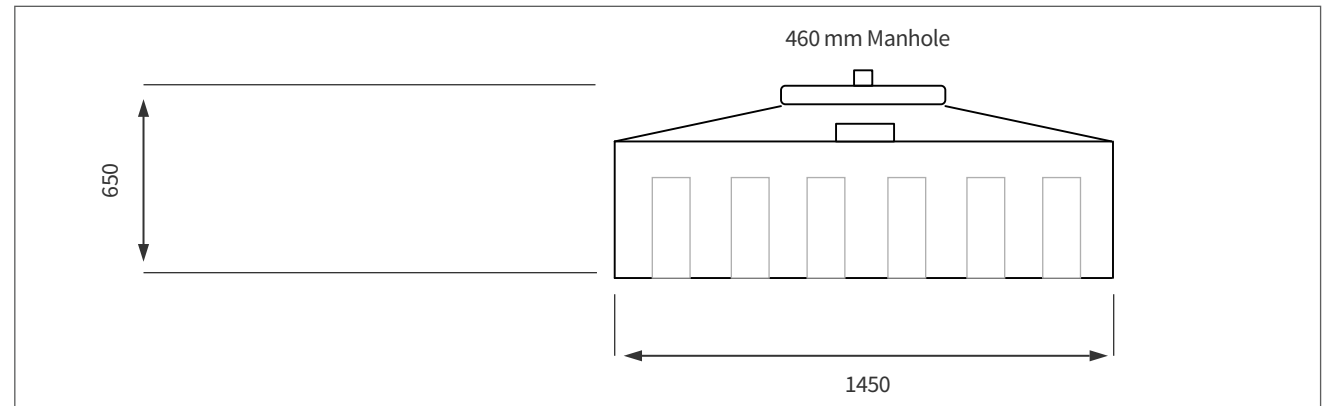
These colours are available on request



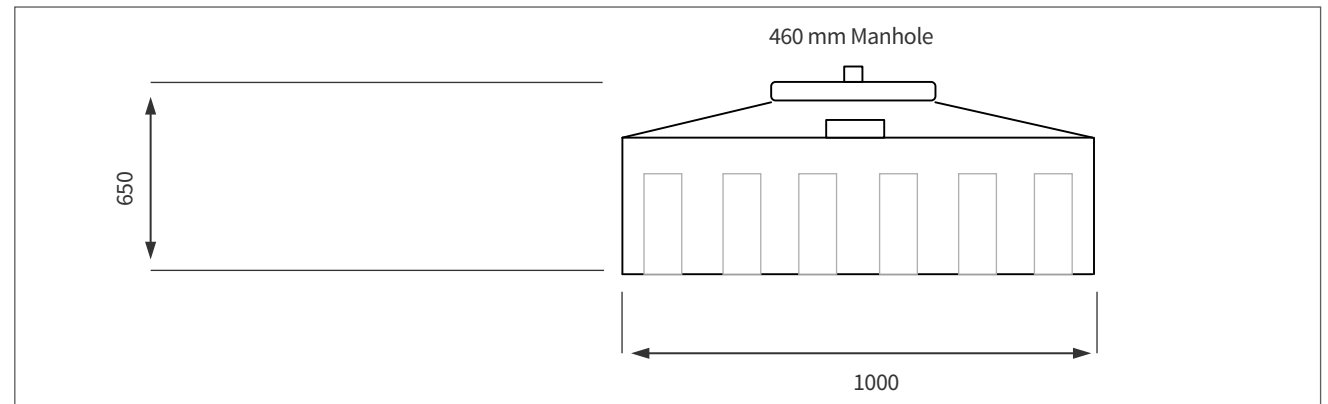
**Note:** Any colours not mentioned above can be custom manufactured.

- Storing 500 litres
- High quality accessories
- UV- stabilized outer layer
- Rust and corrosion-resistant
- Easy transportation, handling and installation
- High quality virgin polyethylene, compatible for storing drinking water
- Food grade black inner lining prevents algae growth
- Recyclable
- BPA free

### FRONT VIEW



### SIDE VIEW



**Note:** All dimensions are in millimeters and scale not to scale