

1500L (VERTICAL) SANITATION PIT

PLASTEX sanitation tanks, offer solutions for sewage and waste.

PRODUCT SPECIFICATIONS

Inlet	100 mm - 4"
Outlet	50 mm - 2"
Manhole	460 mm

Standard Colours



Alternative Colours

These colours are available on request

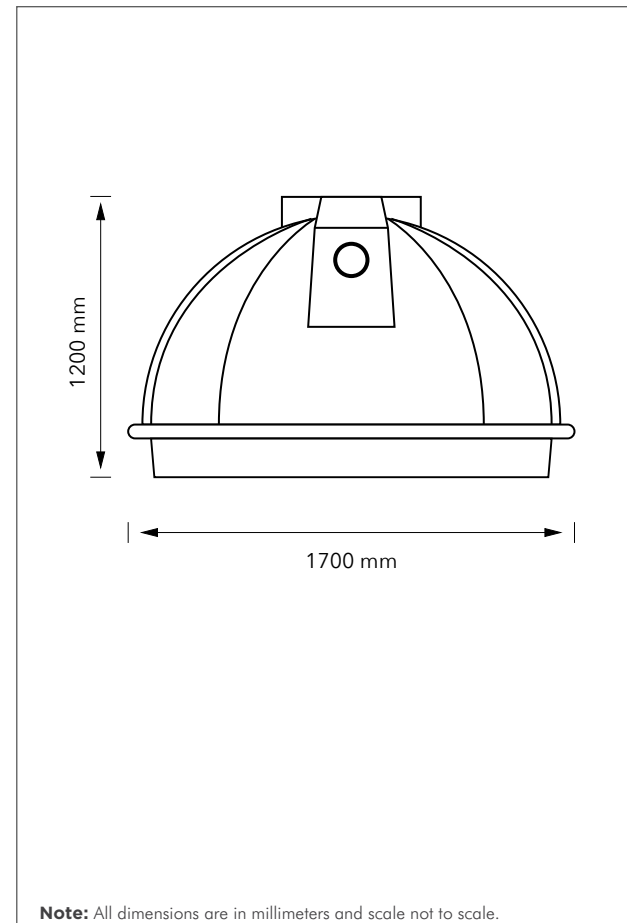


Note: Any colours not mentioned above can be custom manufactured.

- Storing 1000 litres
- High quality accessories
- UV- stabilized outer layer
- Chemical- and corrosion-resistant systems
- Easy transportation, handling and installation
- High quality virgin polyethylene*
- Easy to maintain and clean
- Ventilated lid
- Recyclable
- BPA free

*unaffected by soils chemicals and the chemicals and gases present in sewage

FRONT VIEW



REAR VIEW

